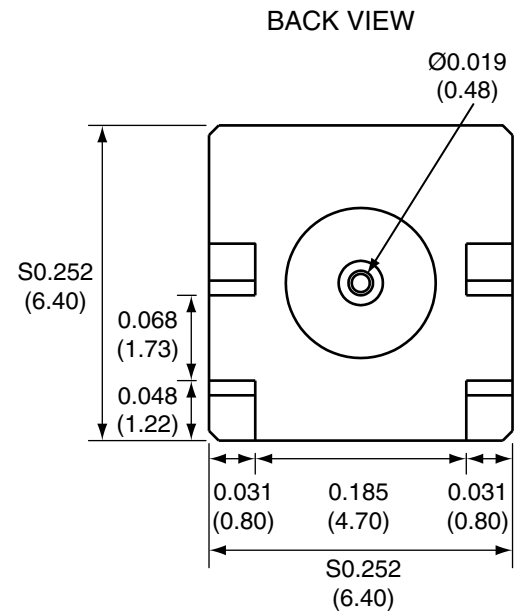
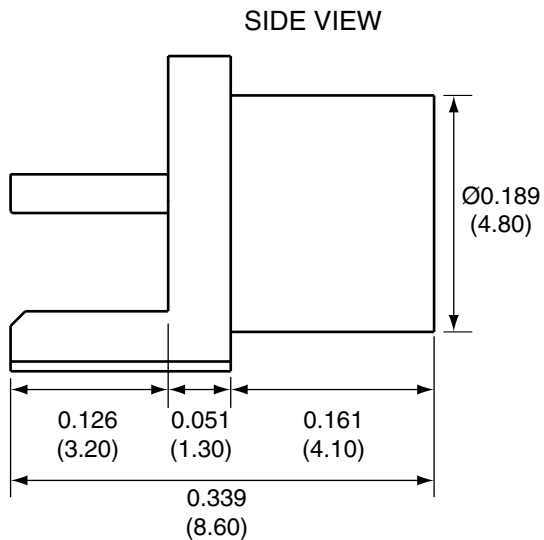
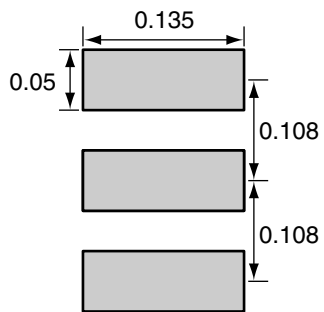


1		
Description	Material	Finish
Body	Brass	Gold
Pin	PH Bronze	Gold
Insulation	Teflon	Teflon



RECOMMENDED FOOTPRINT



Title RP-MCX FEMALE EDGE MOUNT
FOR 0.062" THICK BOARD

Part No. CONREVMCX003.062 Revision: 1.0

Dimensions: INCHES (mm) Date: 6/8/2007

CONNECTOR CITY
159 ORT LANE
MERLIN, OR 97532
PH (541)-471-6256
FAX (541)-471-6251

Sheet 1 of 1

CONNECTOR CITY
THE VALUE OF CONNECTIONS