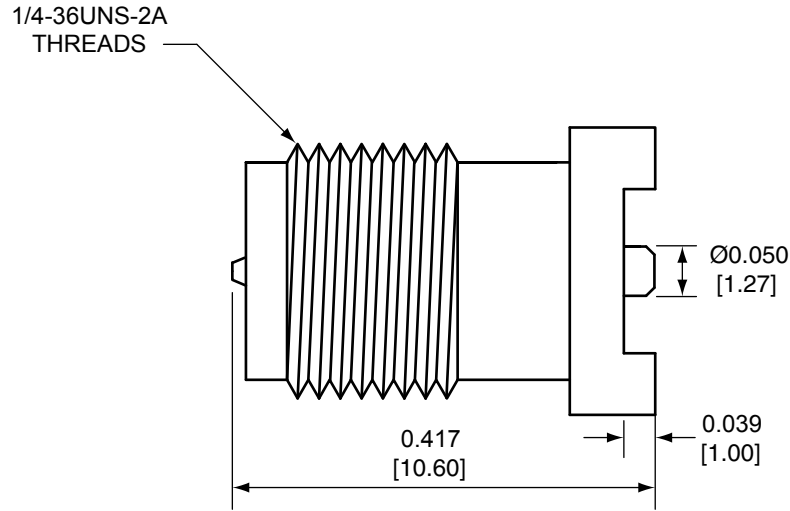
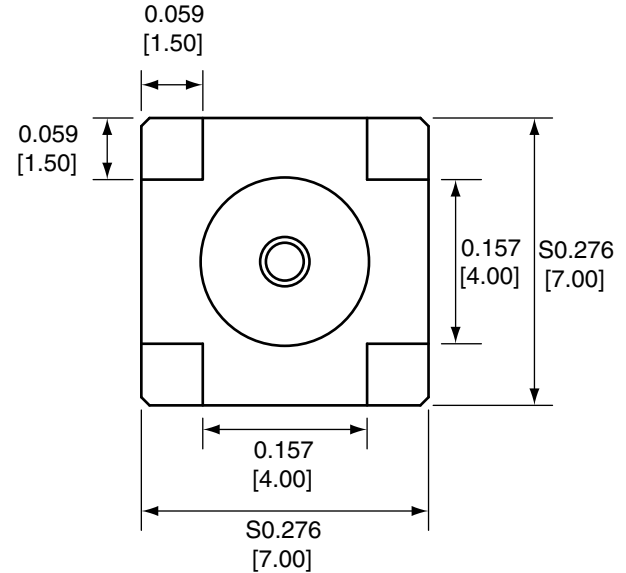


Description	Material	Finish
Body	Brass	Gold
Pin	BE CU	Gold
Insulation	Teflon	Teflon

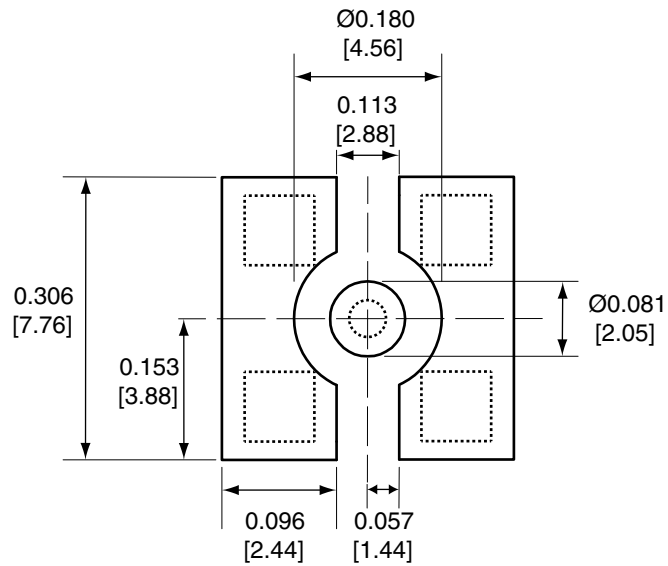
REVISIONS			
REV	DESCRIPTION	DATE	APPV
B	Changed body finish and drawing; added new title block; updated footprint; dimensioned pin	25-APR-12	SAH



SIDE VIEW



BOTTOM VIEW





RECOMMENDED FOOTPRINT

NOTES: (UNLESS OTHERWISE SPECIFIED)

1. ALL DIMENSIONS ARE IN INCHES [mm].
2. DIMENSIONS APPLY AFTER FINISHING.
3. MANUFACTURE TO BE COMPLIANT WITH EU RoHS DIRECTIVE.
4. SAFETY BREAK ALL SHARP CORNERS AND EDGES .02 MAXIMUM.

WARNING: THIS DRAWING CONTAINS PROPRIETARY INFORMATION THAT IS THE SOLE PROPERTY OF LINX TECHNOLOGIES, AND SHALL BE TREATED AS SUCH. NO DISCLOSURE OR REPRODUCTION OF THIS DOCUMENT IS PERMITTED, IN WHOLE OR IN PART, WITHOUT THE EXPRESS WRITTEN PERMISSION OF LINX TECHNOLOGIES OR ITS DESIGNATED AGENTS.

MATERIAL:	TOLERANCES: .020 [0.50]-.200 [5.00]= ±.008 [0.20] .200 [5.00]-1.200 [30.00]= ±.016 [0.40] 1.20 [30.0]-4.75 [120.0]= ±.024 [0.60] 4.75 [120.0]-12.40 [315.0]= ±.040 [1.0]	PROJECTION: 
FINISH:	DRAWN: B.MURPHY	DT: 25-APR-12
	ENGR: S.HOGAN	DT: 25-APR-12

		159 ORT LANE MERLIN, OR 97532	
TITLE: RP-SMA FEMALE PCB MOUNT SURFACE MOUNT			
SIZE <b>A</b>	DWG. NO. CONREVSMA001-SMD	REV <b>B</b>	
SCALE: 2:1	DO NOT SCALE DRAWING	SHEET 1 OF 1	