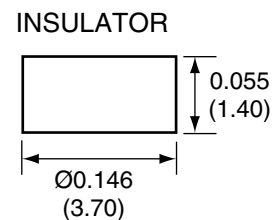
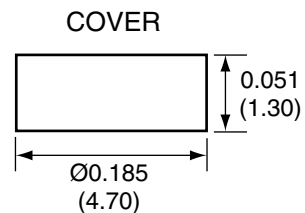
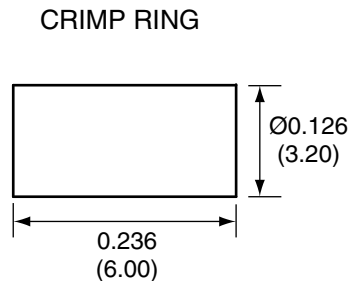
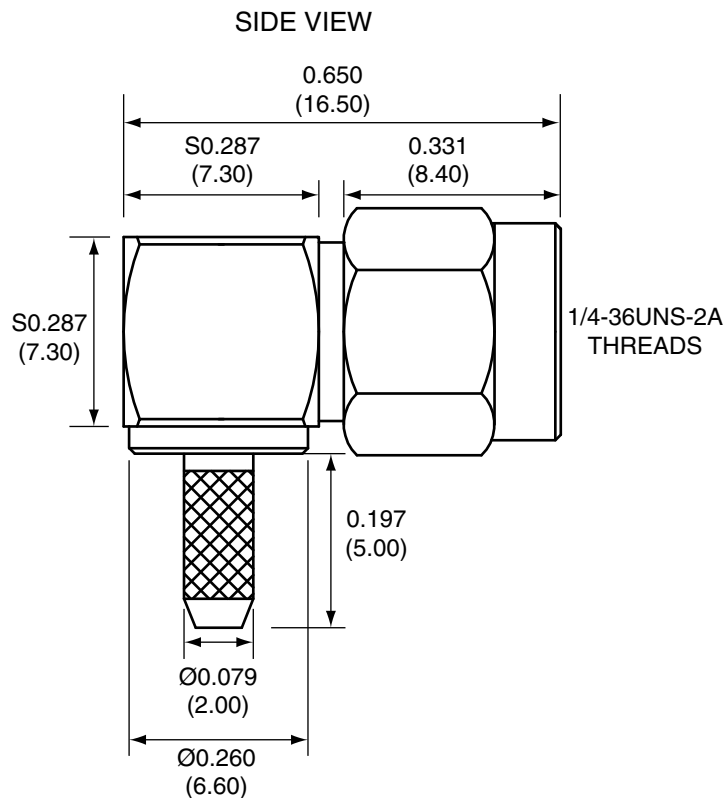
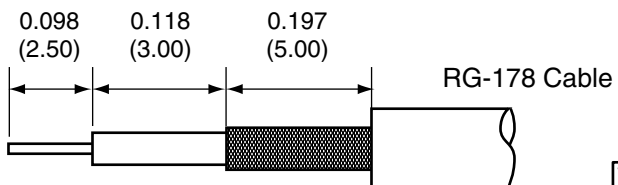


| 1 | | |
|-------------|-----------|--------|
| Description | Material | Finish |
| Body | Brass | Nickel |
| Socket | BE CU | Gold |
| Insulation | Teflon | Teflon |
| Washer | PH Bronze | Nickel |
| Gasket | SI Rubber | Rubber |
| Crimp Ring | Brass | Nickel |
| Insulator | Teflon | Teflon |
| Cover | Brass | Nickel |



RECOMMENDED CABLE STRIPPING DIMENSIONS



Title RP-SMA MALE RIGHT ANGLE
CABLE END CRIMP FOR RG178 CABLE

Part No. CONREVSMA012-R178 Revision: 1.0

Dimensions: INCHES (mm)

Date: 6/7/2007

CONNECTOR CITY
159 ORT LANE
MERLIN, OR 97532
PH (541)-471-6256
FAX (541)-471-6251

Sheet 1 of 1

CONNECTOR CITY
THE VALUE OF CONNECTIONS