



159 Ort Lane  
Merlin, OR, US 97532  
Phone: + 1 541 471 6256  
Fax: + 1 541 471 6251  
[www.linxtechnologies.com](http://www.linxtechnologies.com)

June 17, 2013

To: All customers using the CONSMA001 and CONREV SMA001

Re: Product Change Notice

Dear customer,

Linx Technologies is announcing a change in manufacturing for the CONSMA001 and CONREV SMA001.

The product is mechanically identical to, and offers equivalent electrical performance, as the previous version of the product. The manufacturing change made is the addition of four retention dimples equally spaced around each connector's barrel to enhance insulation retention after connectors are subjected to solder reflow temperatures.

We are committed to working closely with our customers during the transition to address any questions or concerns.

## Product Change Notice for CONSMA001 and CONREVSMA001

PCN #: LPCN-130617-1

Publish Date: June 17, 2013

### Type of Change

Manufacturing change for CONSMA001 and CONREVSMA001

### Products Affected

- CONSMA001
- CONREVSMA001

### Description of Change

The addition of retention dimpling to the manufacturing process for the CONSMA001 and CONREVSMA001 has been implemented. The dimpling of the connectors is illustrated in Figure 2 below

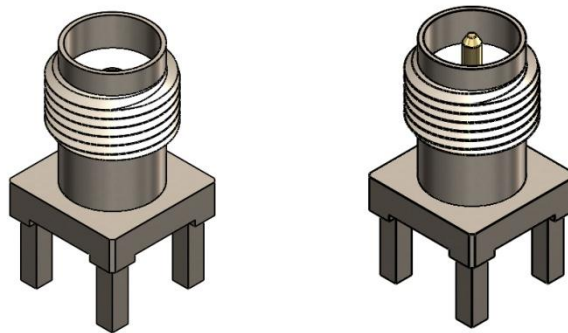


Figure 1: CONSMA001 and CONREVSMA001 without insulation retention dimples

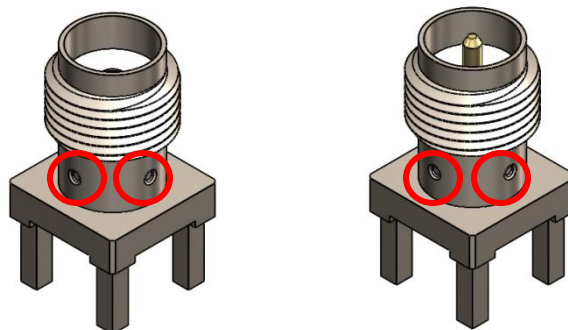


Figure 2: CONSMA001 and CONREVSMA001 with insulation retention dimples



159 Ort Lane  
Merlin, OR, US 97532  
Phone: + 1 541 471 6256  
Fax: + 1 541 471 6251  
[www.linxtechnologies.com](http://www.linxtechnologies.com)

### **Reason for Change**

To enhance retention of connector insulation after being subjected to solder reflow temperatures 260° Celsius.

### **Effect of Change**

Form: Addition of retention dimples 90° apart on barrel of connectors

Fit: No change

Function: No change

Quality: No change

### **Anticipated First Ship Date**

June 2013

### **Qualification Data**

Qualification plan specifics are not for general release. Please contact Linx directly for additional information or assistance.

### **Last Time Buy Date**

No formal last time buy date is established. Product with the additional retention dimpling will be supplied as existing inventory depletes.